



6 Panel 1 CD tray DigiPak (tray on Centre or Right Panel)

CDP-601

CD & DVD Manufacturing

Tray can be placed on one of these panels

CDE635 Trim: 16.968" x 9.884"

Inside Front Cover

Back Cover

Front Cover

5.455"

0.237"

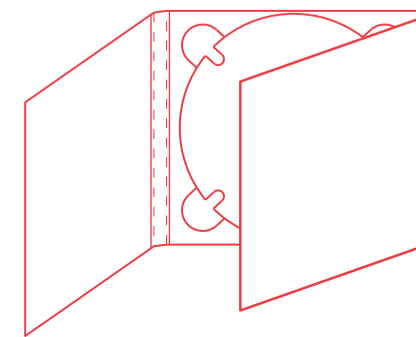
5.49"

0.295"

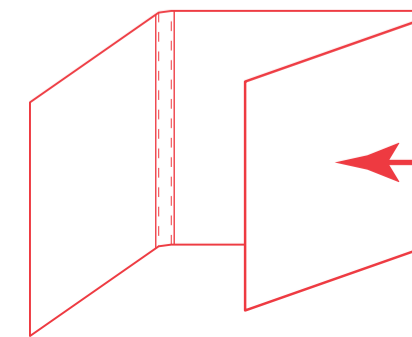
5.491"

- Type safety
- Cut Line
- Bleed Area

Note: Any artwork that does not meet above requirement may be put on hold and cause a delay. Client will have to resubmit new file(s) or authorize SLI to perform artwork modification at extra cost.



OR



Tray behind this panel